

### Features

- Two-handle centerset faucet for 4" (102 mm) centers
- 5-3/16" (132 mm) swing/rigid spout
- Quarter-turn washerless ceramic disc valves ensure for a lifetime of durable performance
- 1.0 gpm (3.8 lpm) maximum flow rate at 60 psi (4.14 bar)
- Free flow outlet with water flow regulator at bottom of spout
- Vandalproof ADA-compliant wristblade handles with red and blue indexing
- Less drain
- Brass construction and valve bodies



ADA

CSA B651

OBC

### Codes/Standards

ASME A112.18.1/CSA B125.1

NSF/ANSI/CAN 61

NSF/ANSI/CAN 372

All applicable US Federal and State material regulations

DOE - Energy Policy Act 1992

EPA WaterSense™

California Energy Commission (CEC)

ADA

ICC/ANSI A117.1

CSA B651

OBC

### KOHLER® One-Year Limited Warranty

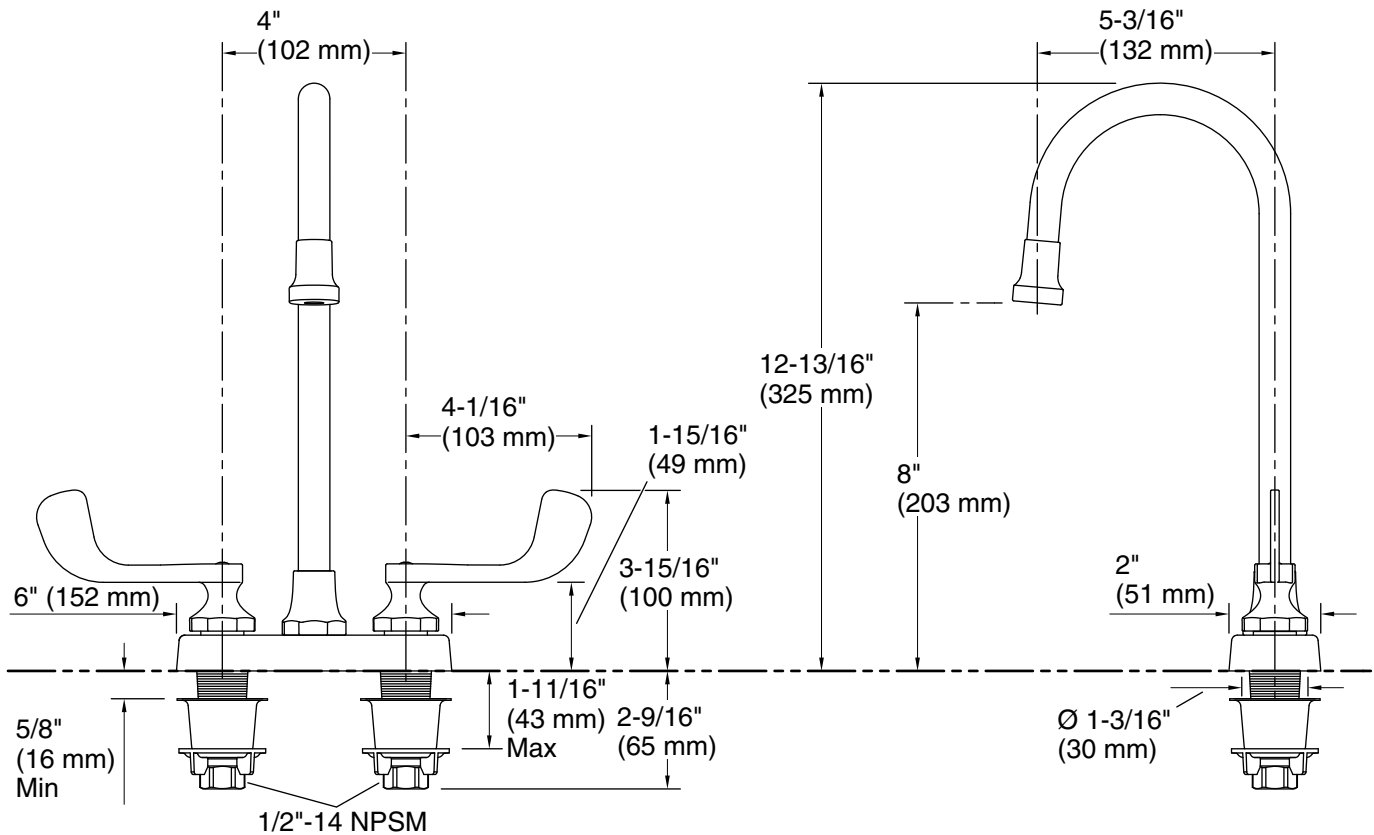
See website for detailed warranty information.

### Available Colors/Finishes

*Color tiles intended for reference only.*

Color	Code	Description
-------	------	-------------

	CP	Polished Chrome
---	----	-----------------



### Technical Information

All product dimensions are nominal.

#### Faucet:

Flow rate: 1 gal/min (3.8 l/min)

Pressure: 60 psi (4.1 bar)

Valve body: Machined-brass

Drain included: No

Drain with overflow: No

#### Spout:

Spout reach: 5-3/16" (132 mm)

### Notes

Install this product according to the installation instructions.

ADA, OBC, CSA B651 compliant when installed to the specific requirements of these regulations.